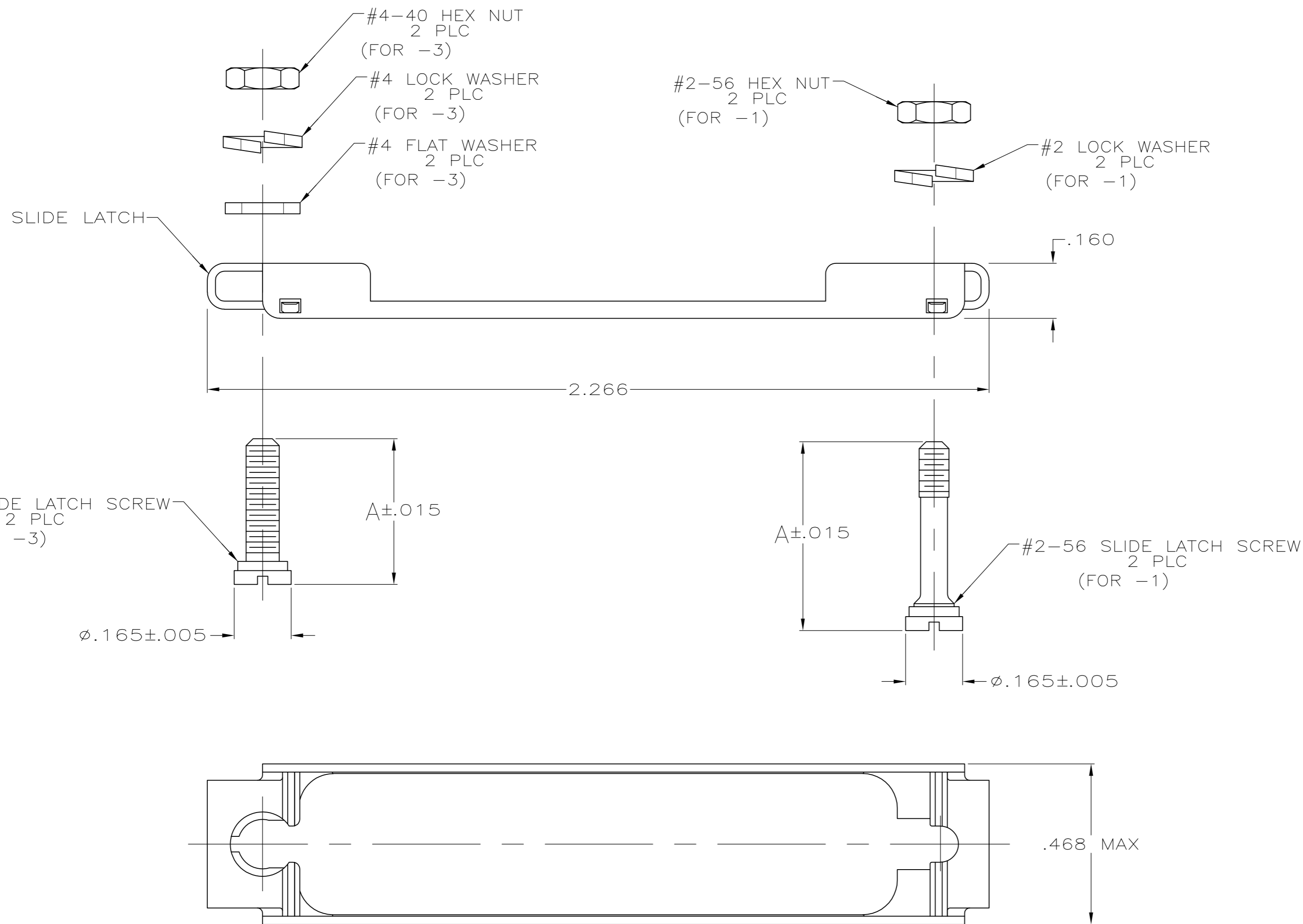


THIS DRAWING IS UNPUBLISHED. RELEASED FOR PUBLICATION
 © COPYRIGHT - By - ALL RIGHTS RESERVED.

LOC	DIST	REVISIONS			
P	LTR	DESCRIPTION	DATE	DWN	APVD
BD	0				
P		REVISED PER ECO-11-004835	11MAR11	RK	HMR



1. PARTS PACKAGED UNASSEMBLED.
2. PARTS PACKAGED AS A UNIT KIT.
- ③ ZINC PLATED .000200-.000400 THICK, CLEAR CHROMATE COATING.
- ④ ZINC PLATED .000200-.000400 THICK, YELLOW CHROMATE COATING.
- ⑤ THIS KIT CAN BE USED WITH TWO-PIECE STRAIGHT/90° EXIT CABLE CLAMPS, RFI/EMI CABLE CLAMPS OR UNIVERSAL CABLE CLAMPS.
- ⑥ THIS KIT CAN BE USED WITH STRAIGHT/45° EXIT ONE-PIECE CABLE CLAMPS, STRAIGHT/90° EXIT ONE-PIECE CABLE CLAMPS, OR ON CONNECTORS WITHOUT CABLE CLAMPS.

.415	④	#4-40	⑥	5745584-3
.547	③	#2-56	⑤	5745584-1
A	HARDWARE FINISH	THREAD TYPE	PART NO	

DIMENSIONS:		TOLERANCES UNLESS OTHERWISE SPECIFIED:		APVD		NAME		
INCHES		0 PLC	± -	30JUN05	S.WAITMAN			
		1 PLC	± -	30JUN05	J.GERACE			
		2 PLC	± -	30JUN05	M.WALMSLEY			
		3 PLC	± .010		PRODUCT SPEC			
		4 PLC	± -		APPLICATION SPEC			
		ANGLES	± -		SIZE	CAGE CODE	DRAWING NO	RESTRICTED TO
MATERIAL	FINISH	WEIGHT			A2	00779	C=5745584	-
SLIDE LATCH: STAINLESS STEEL	HARDWARE: SEE TABLE				SCALE 4:1		SHEET 1 of 1	REV P
HARDWARE: STEEL					CUSTOMER DRAWING			

5745584